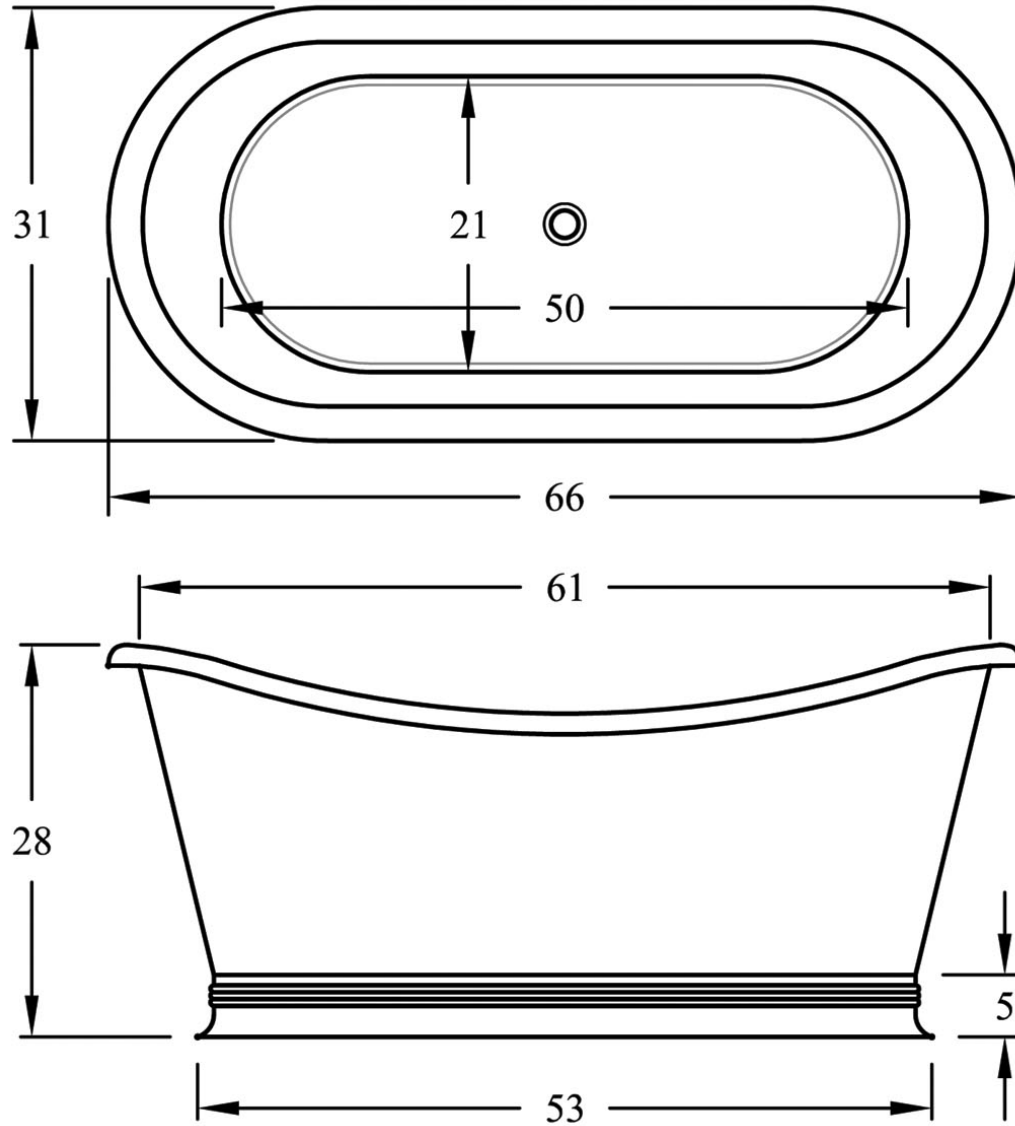


HANDCRAFTED METAL

5121 E. 7th St. Austin, Texas 78702 tel 800.755.0310 fax 512.386.5442
www.handcraftedmetal.com

Barton Springs Copper Bathtub 66"



Specifications:

1. Fully Welded 16 Gauge Copper
2. French Hot Process Patina with Lacquer
3. Hammered Tub Body and Bottom
4. Smooth Rim and Base
5. Overall Dimensions 66" x 31" x 28"
6. Water Depth 18"
7. Water capacity 90 gallons
8. Empty Weight 150 lbs.
9. Full Weight 900 lbs.
10. No hole for faucet – may be field drilled if needed
11. Standard 2" Tub Drain - Center Position

