



Handcrafted Metal, Inc.

5121 E. 7th St. Austin, TX 78702
Tel. 512-386-5433 Fax 512-386-5442
1-800-755-0310

Signature

Sink Submittal

Single Bowl

Under Mount Sink With Square Apron

Material: 48 oz. NEW COPPER

Finish: ANTIQUED w/WAX RUB

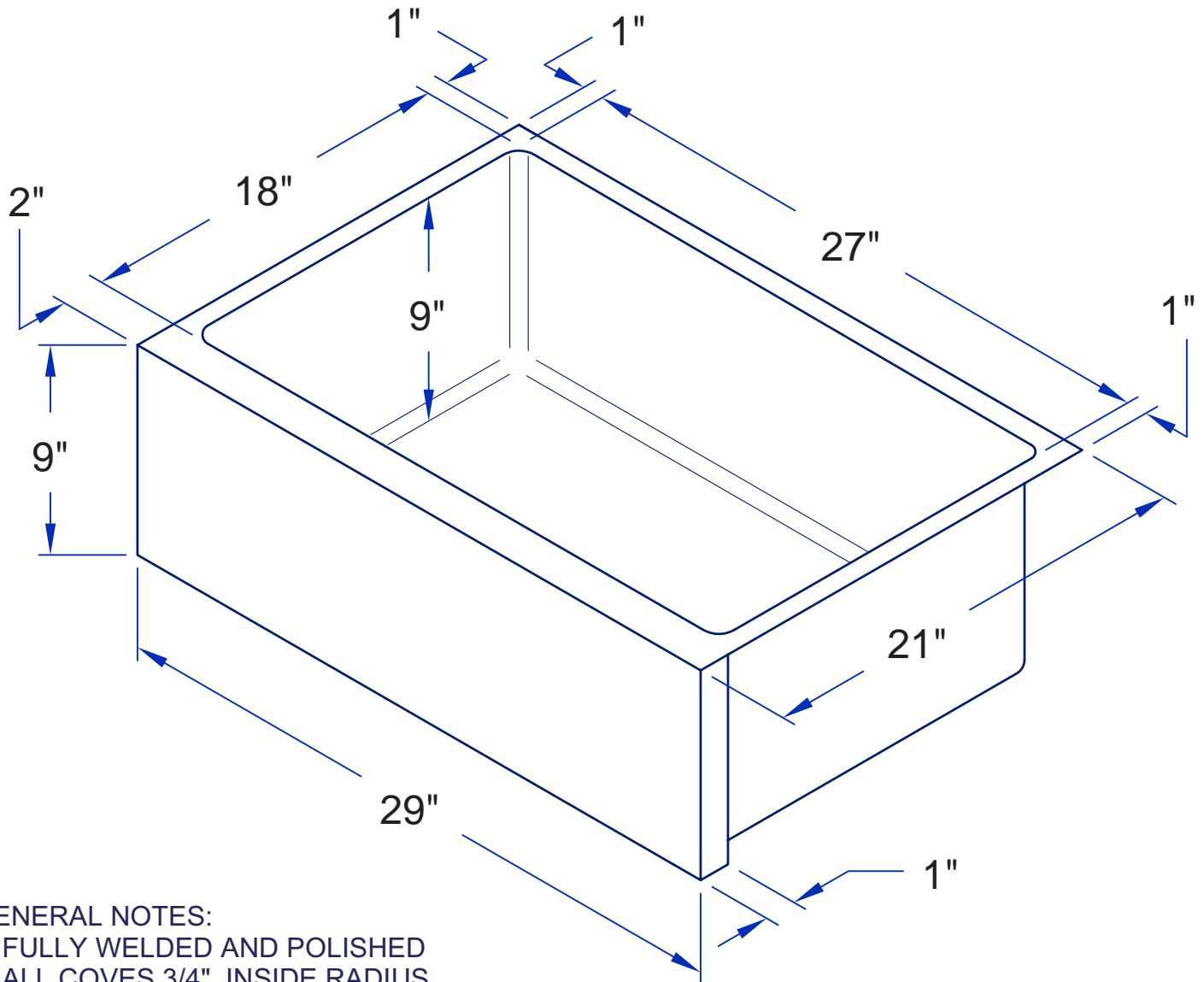
Sink Walls: SLOPED

Drain Position: CENTER

Antique: MEDIUM BROWN

Comments:

Add towel bar for additional \$500



GENERAL NOTES:

1. FULLY WELDED AND POLISHED
2. ALL COVES 3/4" INSIDE RADIUS
3. EXTERIOR COATED WITH SOUND DEADENER
4. 3 1/2" STANDARD DRAIN AND STANDARD DRAIN INDENT

X

APPROVAL SIGNATURE

DATE