



# Handcrafted Metal, Inc.

5121 E. 7th St. Austin, TX 78702  
Tel. 512-386-5433 Fax 512-386-5442  
1-800-755-0310

# Signature

## Sink Submittal

### Single Bowl

### Under Mount Sink with Radiused Apron

Material: 48 oz. NEW COPPER

Finish: ANTIQUED w/WAX RUB

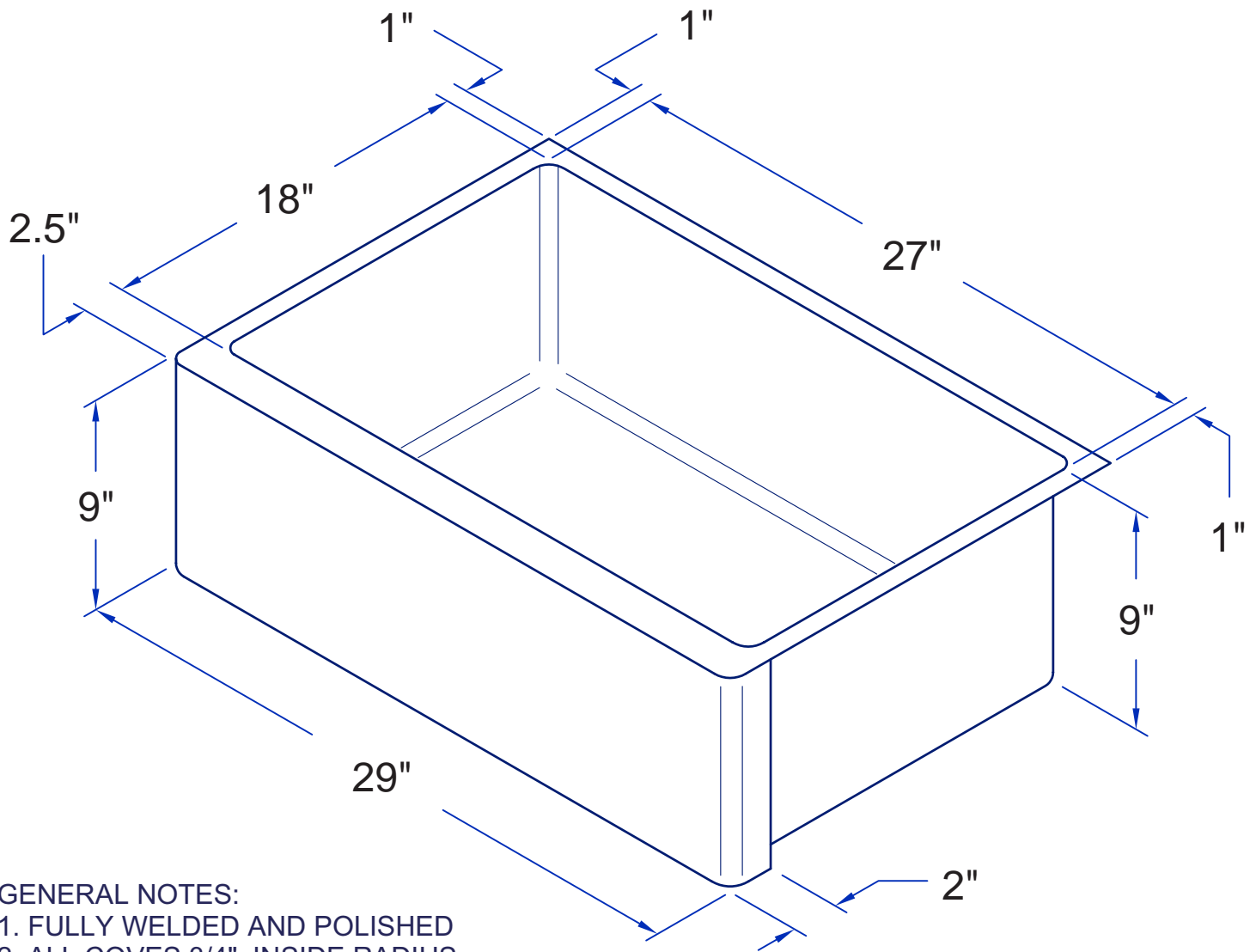
Sink Walls: SLOPED

Drain Position: CENTER

Antique: MEDIUM BROWN

Comments:

Add towel bar for additional \$500



#### GENERAL NOTES:

1. FULLY WELDED AND POLISHED
2. ALL COVES 3/4" INSIDE RADIUS
3. EXTERIOR COATED WITH SOUND DEADENER
4. 3 1/2" STANDARD DRAIN AND STANDARD DRAIN INDENT

X

APPROVAL SIGNATURE

DATE